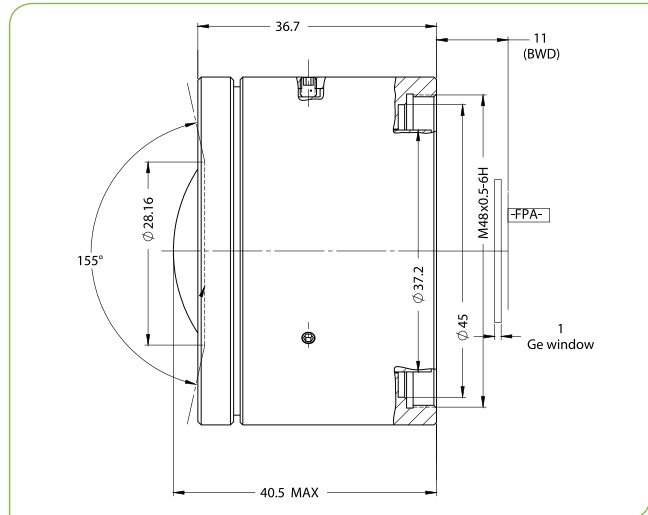


SupIR 8.2mm f/1.0, Manual Focus 680092

TYPICAL ICD*



**HD
FORMAT**



HFOV	320x240	384x288	640x480	1024x768
17μ	37.7°	45.3°	77.5°	
12μ	26.6°	31.9°	53.5°	88.7°

Property	Value				
Optical					
Focal Length	8.2mm				
F#	1.0				
Average transmission (8-12μm)	92% (HD) / 87% (HC)				
Back Focal Length	13.65mm in air				
Mechanical					
Focus Mechanism	Manual				
Depth of Field	5m to infinity				
Focus Range	0.3m to infinity				
Weight	see configurations table below				
Max. Dimensions	see configurations table below				
Environmental					
Operation Temperature	-20°C to +60°C				
Storage Temperature	-40°C to +70°C				
Sealing	Not sealed				
Configurations	Weight (gr)	Dimensions	BWD**	Thread	Coating
680092-001	190	Ø53.5mm x 41.4mm	6.29	2x Ø3.0, 3x Ø3.8 (w/adapter)	HC
680092-002					HD
680092-003	157	Ø53.5mm x 40.5mm	11	M48x0.5	HC

* The ICD drawing provided here is primarily a representation and may not accurately reflect the product's actual dimensions and specifications. For precise integration specifications contact your local sales representative.

** The BWD value is calculated for a unique detector setup with varying sealing windows in terms of thickness and material. For more details, contact your local sales representative.